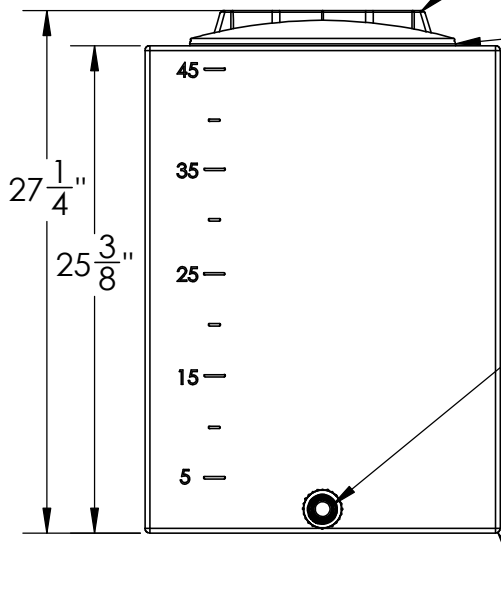


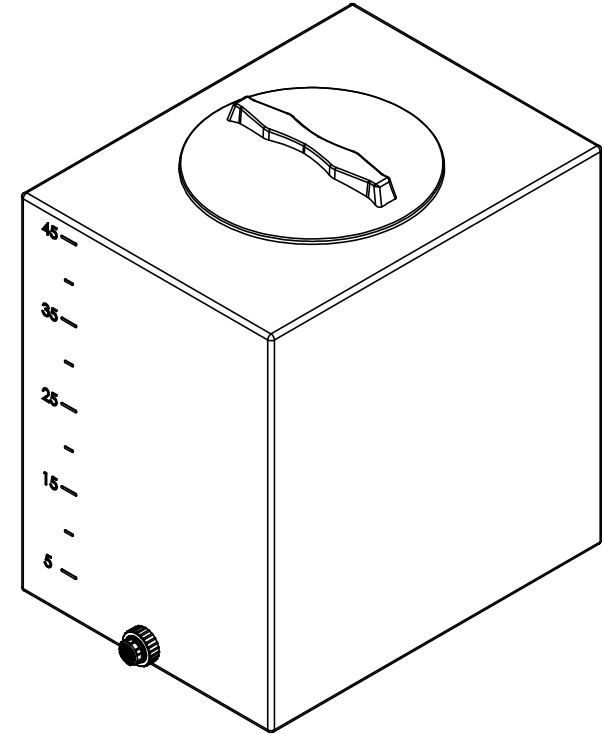
12" Closed Non-vented Lid #970327



12" Lid Ring with Gasket #970328

3/4" Bulkhead PP Fitting #970233

R 1/4"



45 Gallon Rectangular Utility Tank w/ Fiting & Gasketed Ring & Lid



1390 Neubrecht Road  
Lima, Ohio 45801

STOCK NO.  
23729, 23731, 23732

REV  
A

DO NOT SCALE DRAWING

WEIGHT: 31 lbs.

DIMENSIONS ARE IN INCHES TOLERANCE: ± 1/4"	DRAWN	NAME	DATE
MATERIAL LLDPE - FDA resin	APPROVED	NJV	5/1/24
CAPACITY 45 Gallon	REVISIONS		
GRADUATIONS 5 Gallon	COMMENTS:	Natural, Black, Blue UV Stabilized	
NOMINAL WALL THICKNESS 3/16"			

**PROPRIETARY AND CONFIDENTIAL**  
THE INFORMATION CONTAINED IN THIS DRAWING IS THE SOLE PROPERTY OF TAMCO. ANY REPRODUCTION IN PART OR AS A WHOLE WITHOUT THE WRITTEN PERMISSION OF TAMCO IS PROHIBITED.

MAX. OPERATING TEMP. 140°F  
INTERMITTENT SERVICE TO 160°F  
SEE CHEMICAL RESISTANCE CHART FOR COMPATIBILITY